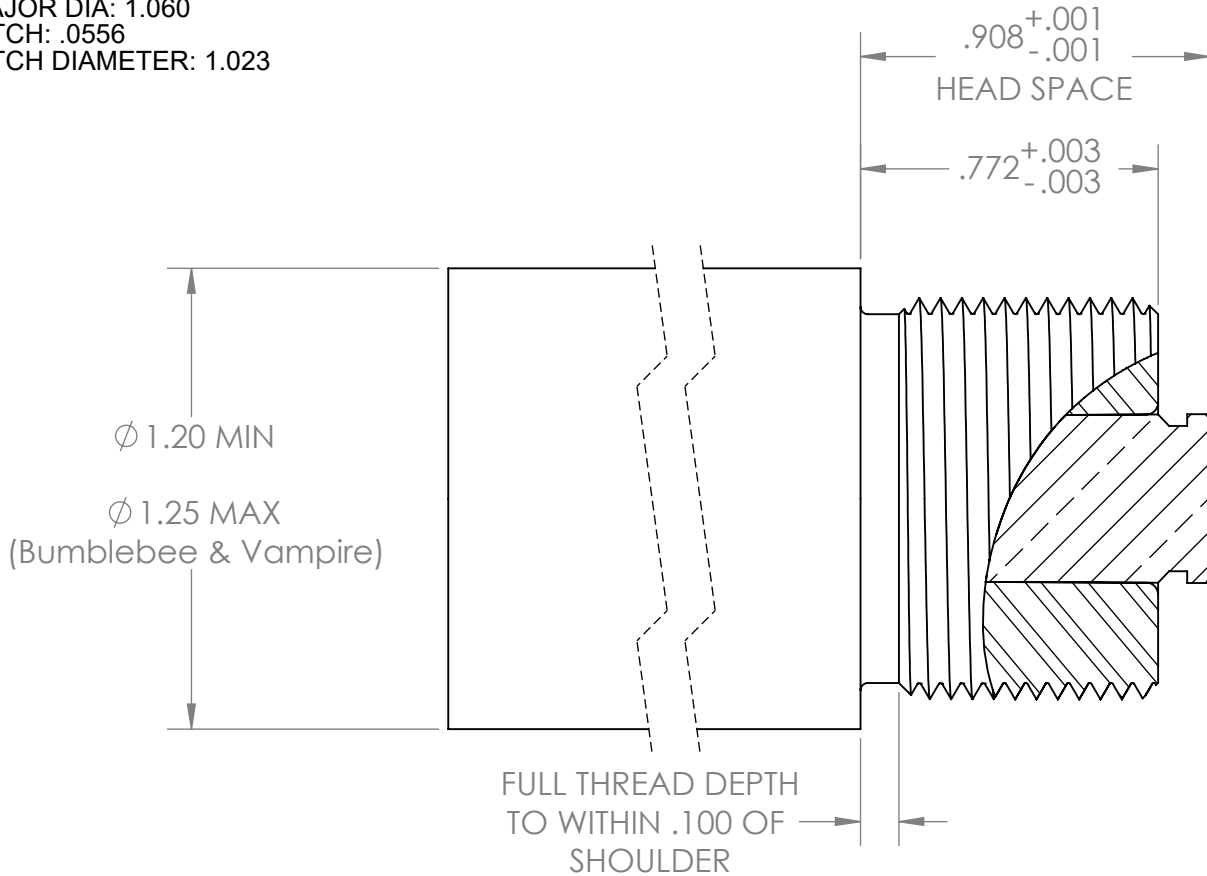


**THIS DRAWING APPLIES TO THE FOLLOWING
ACTION MODELS**

**Bumblebee, Vampire, BTA, Vesper S,
Igniter SA, & Hammerhead**


NOTES:

THREAD SIZE: 1-1/16 X 18
 THREAD PROFILE: 60° V
 TPI: 18
 MAJOR DIA: 1.060
 PITCH: .0556
 PITCH DIAMETER: 1.023



WARNING:

- BAT Machine Inc. builds custom actions that may or may not match this drawing and does not accept any liability from the use or misuse of this information. ALL actions should be measured individually.
- The end user is solely responsible for the safe use of the product.

<p>PROPRIETARY AND CONFIDENTIAL THE INFORMATION CONTAINED IN THIS DRAWING IS THE SOLE PROPERTY OF BAT MACHINE CO. INC. ANY REPRODUCTION IN PART OR AS A WHOLE WITHOUT THE WRITTEN PERMISSION OF BAT MACHINE CO. INC. IS PROHIBITED.</p>	<p>DIMENSIONS ARE IN INCHES TOLERANCES UNLESS OTHERWISE SPECIFIED: ANGULAR: ± 1 DEGREE TWO PLACE DECIMAL $\pm .005$ THREE PLACE DECIMAL $\pm .001$</p>	NAME	DATE	<p align="center">BAT Machine Co. Inc.</p> <p align="center">1-1/16 X 18 BB/VP/IGSA/BTA</p>
		DRAWN	D. Thom	
	MATERIAL	CHECKED		SIZE A DWG. NO. tenon-1062SA REV. D SCALE:2:1 WEIGHT: SHEET 1 OF 2
	FINISH	ENG APPR.		
	DO NOT SCALE DRAWING	MFG APPR.		
		COMMENTS:		