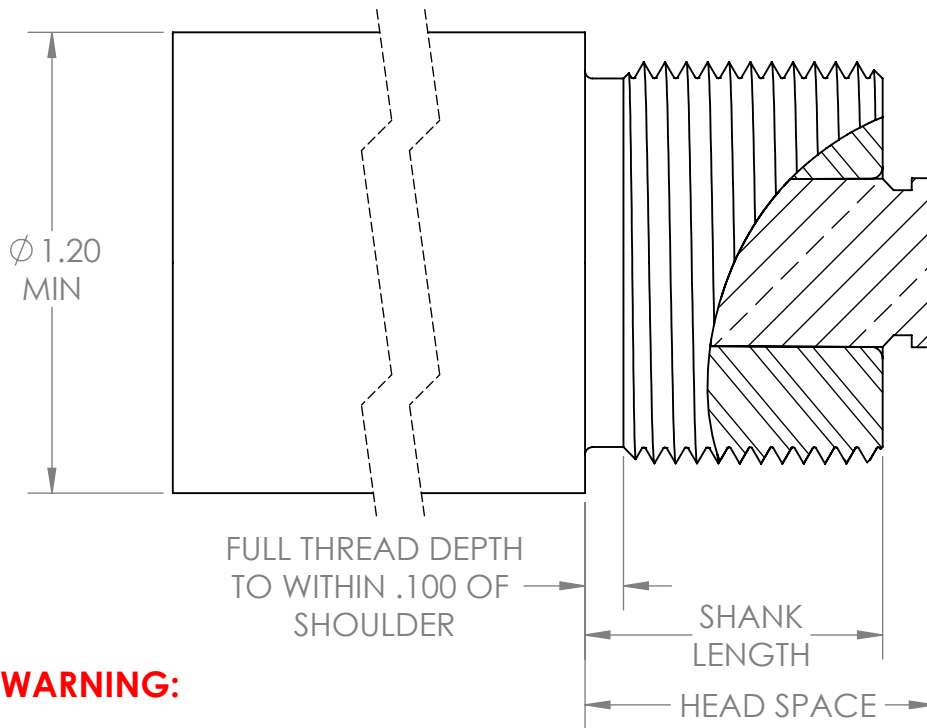


REVISIONS			
REV.	DESCRIPTION	DATE	APPROVED
A	ADDED MODEL TR WITH SERIAL NUMBER UNDER 100 AND CHANGED DIMENSIONS	3/8/2018	DTHOM
B	Updated sheet format and removed BTA from print	6/1/2022	

THIS DRAWING APPLIES ONLY TO THE FOLLOWING ACTION MODELS AND SERIAL NUMBER GROUPS.

Ⓐ
Ⓑ[Ⓟ]
VR & TR

SERIAL NUMBER	VR01 TO VR999	VR1000 and ABOVE & TR UNDER 100
HEAD SPACE	.829 +/- .001	.908 +/- .001
SHANK LENGTH	.696 +/- .004	.772 +/- .003



NOTES:

THREAD SIZE: 1-1/16 X 18
 THREAD PROFILE: 60° V
 TPI: 18
 MAJOR DIA: 1.060
 PITCH: .0556
 PITCH DIAMETER: 1.023

WARNING:

1. Length of thread shank will vary depending on the serial number of the action, see table above.
2. There have been some bastard actions due to customer request or rework. These utilize an oversize 1-1/16 thread. It is your responsibility to verify the thread size in the action you are chambering for.
3. BAT Machine Inc. builds custom actions that may or may not match this drawing, and does not accept any liability from the use or misuse of this information. ALL actions should be measured individually.
4. The end user is solely responsible for the safe use of the product.

PROPRIETARY AND CONFIDENTIAL THE INFORMATION CONTAINED IN THIS DRAWING IS THE SOLE PROPERTY OF BAT MACHINE CO. INC. ANY REPRODUCTION IN PART OR AS A WHOLE WITHOUT THE WRITTEN PERMISSION OF BAT MACHINE CO. INC. IS PROHIBITED.	DIMENSIONS ARE IN INCHES TOLERANCES UNLESS OTHERWISE SPECIFIED: ANGULAR: ± 1 DEGREE TWO PLACE DECIMAL ± .005 THREE PLACE DECIMAL ± .001	NAME	DATE	BAT Machine Co. Inc. 1-1/16 X 18 VR & TR99-
		DRAWN	D. Thom	
	MATERIAL FINISH DO NOT SCALE DRAWING	CHECKED	K. Bauer	12/27/2013
		ENG APPR.		
		MFG APPR.		
		Q.A.		
		COMMENTS:		SIZE DWG. NO. REV. A tenon-1062VR B
		SCALE: 2:1	WEIGHT:	SHEET 1 OF 1